

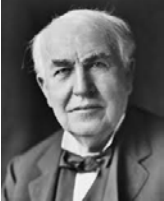
Electricity – Year 4

Key Vocabulary	
electricity	A form of energy used for lighting, heating, making sound and making machines work.
electrical appliance	A machine or device that runs on electricity.
mains	The electricity supplied to households from power stations.
electrical circuit	This consists of a cell or battery connected to a component using wires. It needs to be a complete circuit to work.
cell and battery	A cell is a single unit and a battery is a collection of cells.
electrical component	A part that combines with others to form a circuit. E.g. bulb, motor, buzzer
switch	Can be added to a circuit to turn a component on or off. It allows the electricity to flow or it stops it.
conductor	Material that allows electricity to pass through.
insulator	Material that does not allow electricity to pass through it.

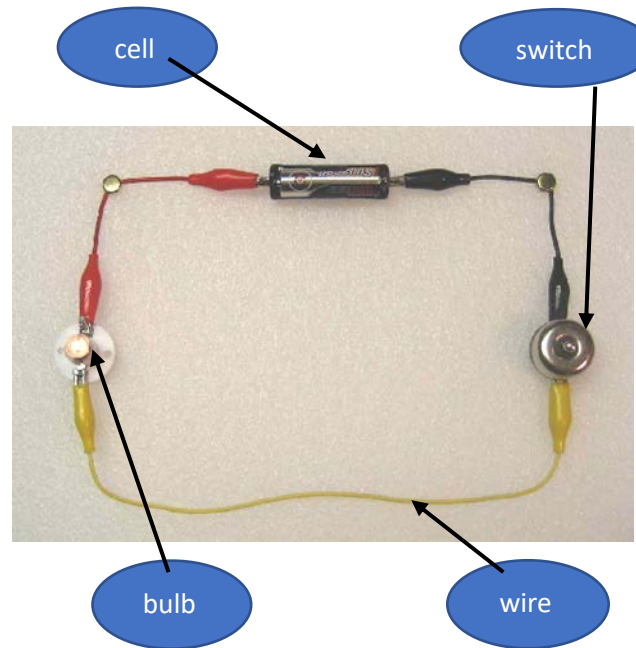
Appliances that run on electricity

Some plug into the mains and others run on batteries.

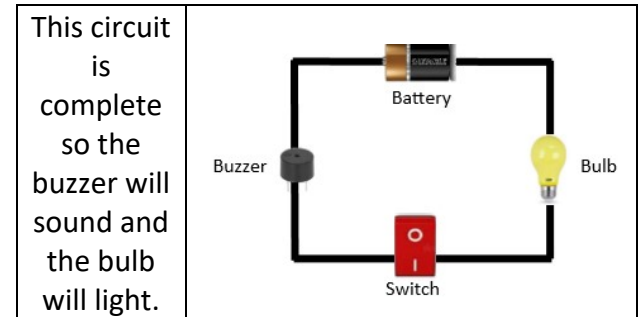
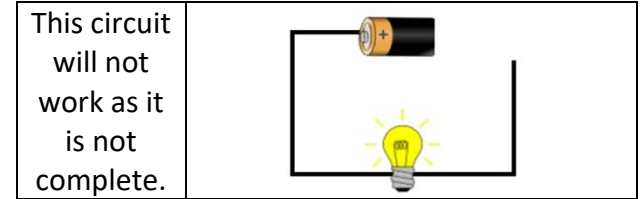


Significant scientist	
Thomas Edison (1847-1931) 	Thomas Edison was an American inventor. He is sometimes described as America's greatest inventor. He invented the first practical incandescent light bulb.

Electrical circuit with a bulb



The switch opens and closes the circuit. The bulb lights in this circuit because the switch is on.



Conductors and insulators

Conductors

Some materials let electricity pass through them easily. These are known as electrical conductors. Many metals are good electrical conductors, such as iron, copper and steel.



Insulators

Some materials do not allow electricity to pass through them. They are known as insulators. Plastic, wood, rubber and glass are good electrical insulators.

